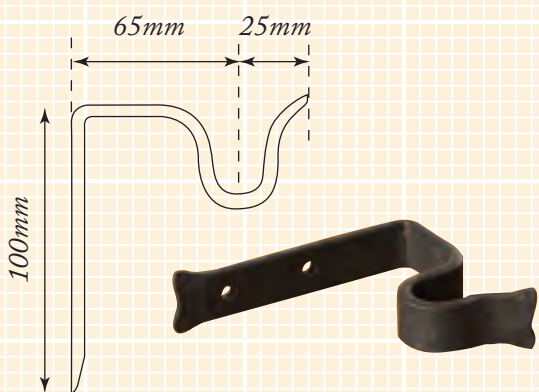
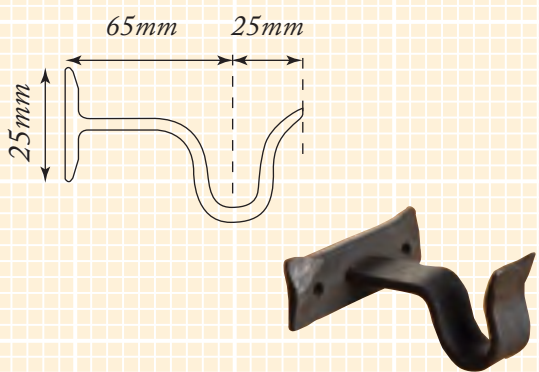


Pole bracket



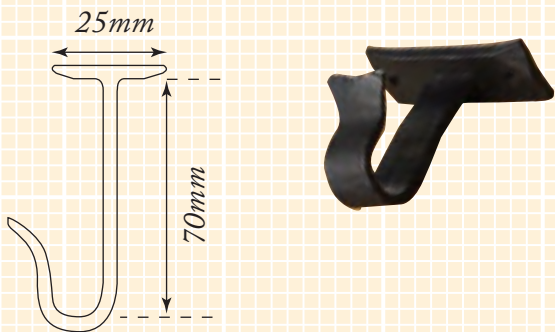
Note: Projection of 65mm from wall is fixed, all other dimensions approximate due to nature of handcrafted ironwork.

Centre bracket



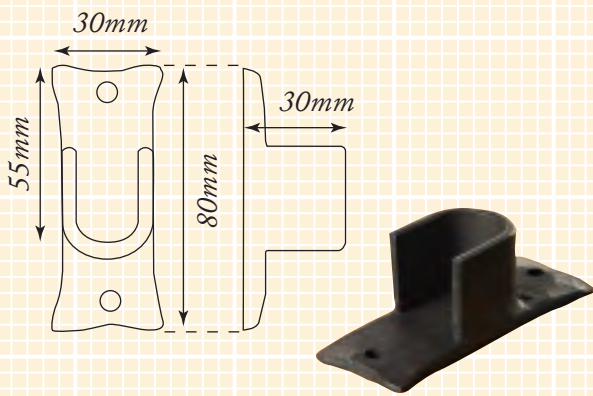
Note: Projection of 65mm from wall is fixed, all other dimensions approximate due to nature of handcrafted ironwork.

Ceiling bracket

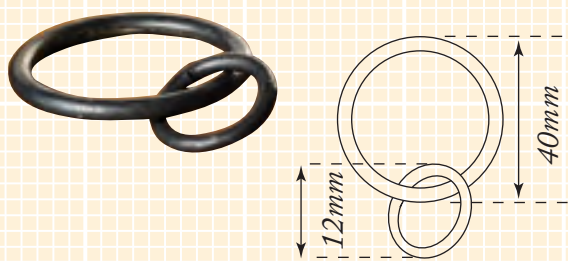


Note: Ceiling drop can be made to a bespoke measurement, just ask and we will be happy to help.

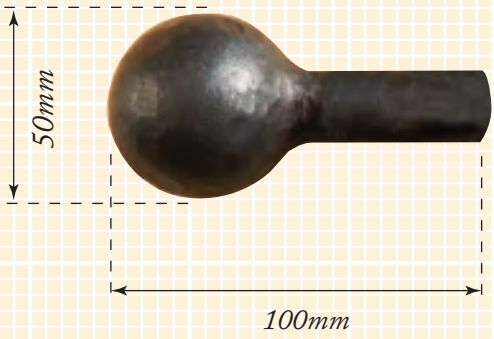
Recess bracket



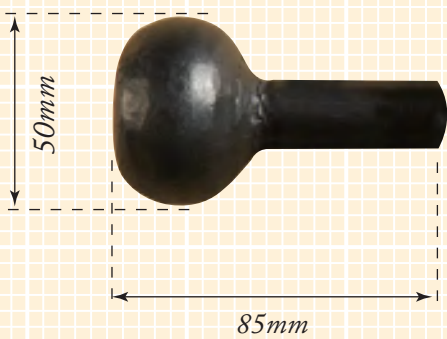
Rings



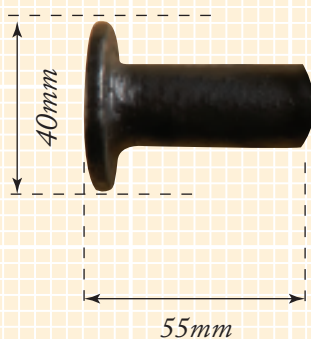
Cannon ball finial



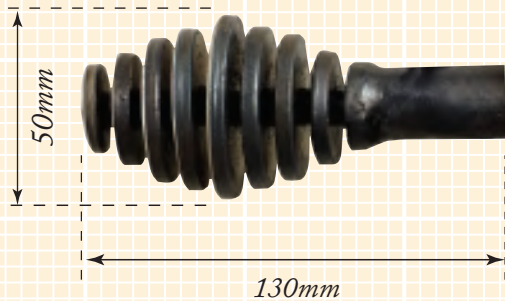
Thumper finial



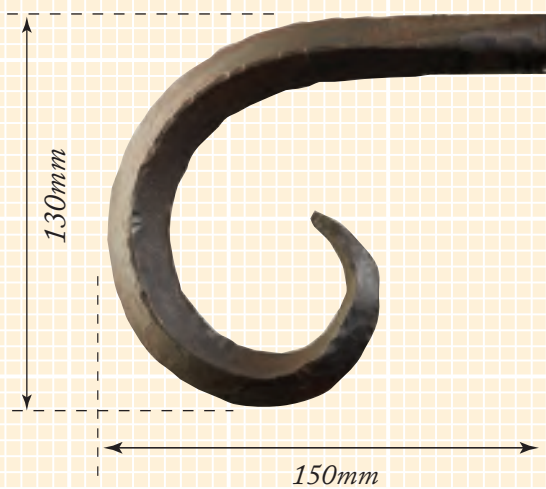
Button finial



Honey Dipper finial



Ram's Horn finial



Ball and Twisted Cage finial

